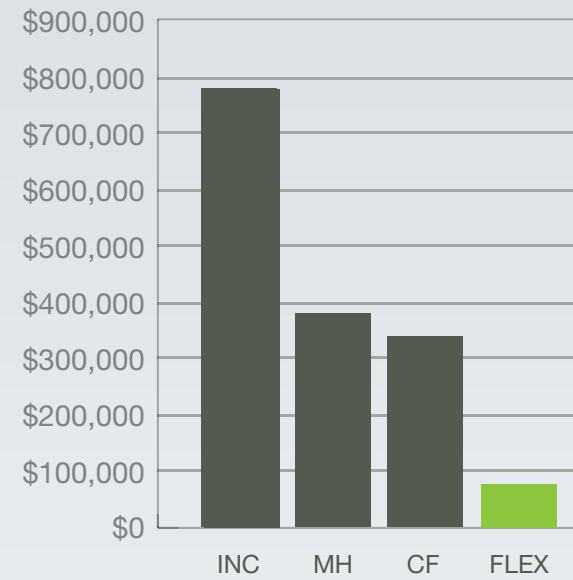


## Energy Saving Analysis

General Project Information	Site
Space to Illuminate (Sq Ft)	250,000
Ceiling Height (Ft)	15
Desired Illumination on Floor (Fc)	5
LED Modules per Kit (Lights)	12
Wire Length (Ft)	220
LED Modules Per 1000 Sq Ft	3
Kits Needed	73
LED Modules Needed	876
Light Module Spacing (Ft)	17
Light Module Coverage (Sq Ft)	289

POWER COST FOR PROJECT



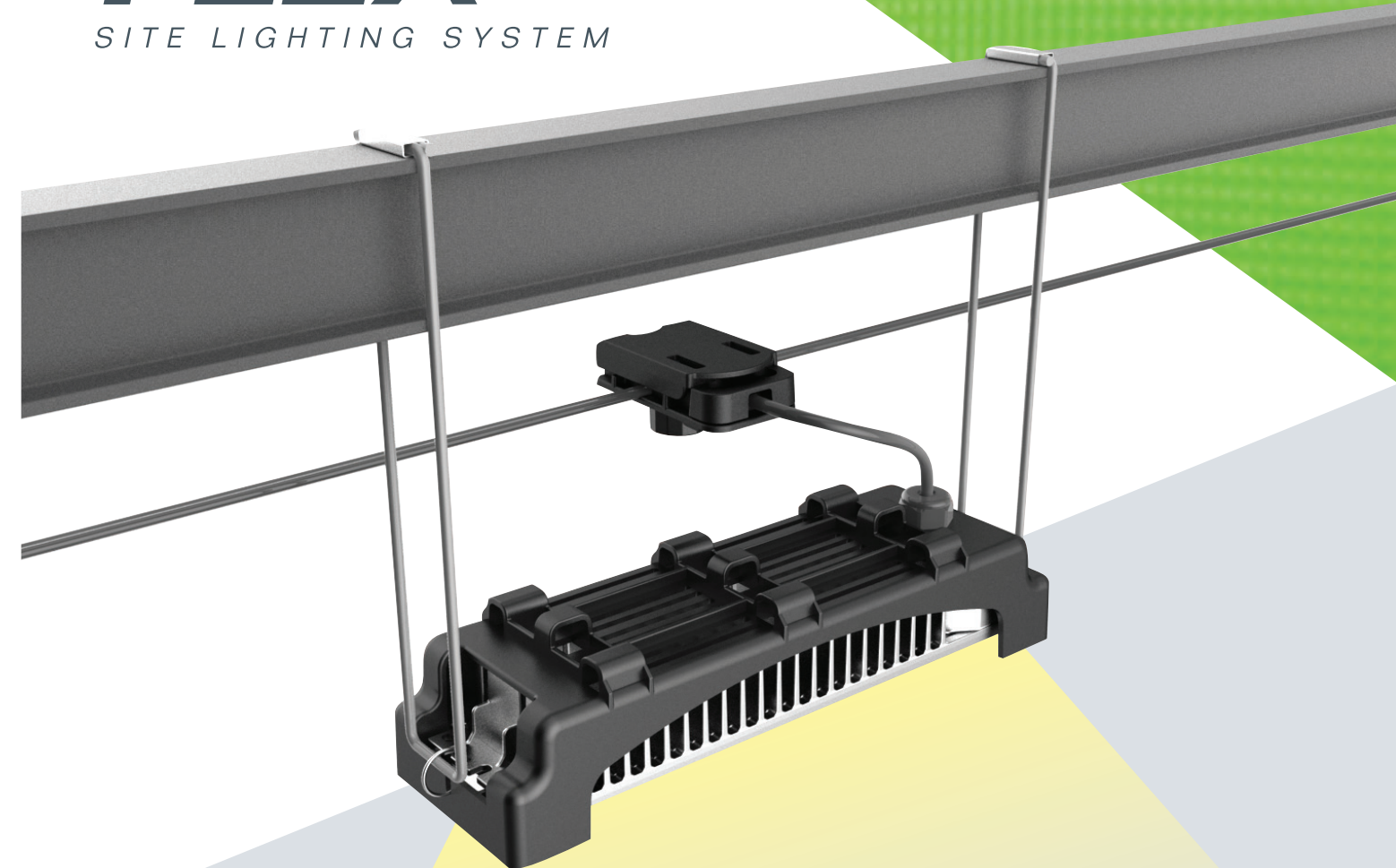
INCANDESCENT		
Lights per 1000 Sq Ft	10	Lights
Unit Power	100	Watts
PS efficiency	100%	Percent
METAL HALIDE		
Lights per 1000 Sq Ft	1.11	Lights
Unit Power	400	Watts
PS efficiency	91%	Percent
COMPACT FLUORESCENT		
Lights per 1000 Sq Ft	10	Lights
Unit Power	34	Watts
PS efficiency	71%	Percent
FLEX SLS (LED)		
Lights per 1000 Sq Ft (Average)	3.46	Lights
Unit Power	27	Watts
PS efficiency	86%	Percent

Power Information	VALUE	UNITS
Power Cost Per Kilowatt Hour	\$0.180	Dollars
Hours Per Month Illuminated	720	Hours
Duration of Project	24	Months

Power Costs for Project	VALUE	UNITS
Incandescent	\$777,600	Dollars
Metal Halide	\$376,327	Dollars
Compact Fluorescent	\$341,055	Dollars
FLEX	\$82,818	Dollars

Power Savings FLEX vs.	VALUE	UNITS
Incandescent	\$694,782	Dollars
Metal Halide	\$293,509	Dollars
Compact Fluorescent	\$258,237	Dollars

**FLEX**<sup>SLS</sup>  
SITE LIGHTING SYSTEM



A modular and flexible LED-based temporary lighting system.

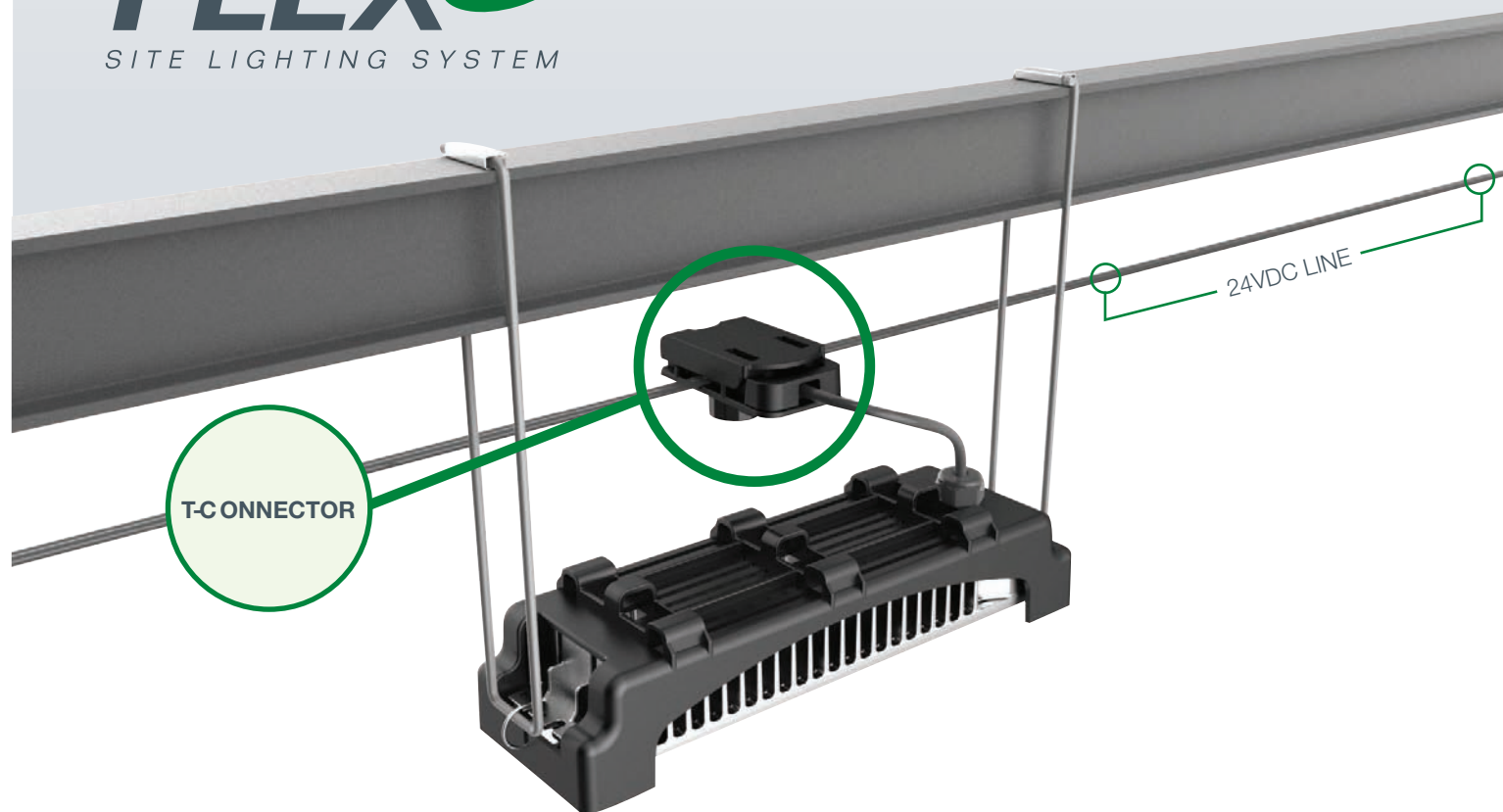
For more detailed information regarding your specific project applications, learning about FLEX SLS projects, or for ordering information, please contact Clear-Vu Lighting's sales department at 516.333.8880.

# Welcome to the next generation of temporary and portable lighting for construction sites and industrial operating environments.

Clear-Vu Lighting has designed and developed a modular and flexible LED-based lighting system to replace incandescent stringers and 400W MH fixtures for a variety of temporary or semi-permanent lighting applications.

By incorporating an innovative 24VDC low-voltage bus line, **hardwiring conduit between individual light fixtures is no longer necessary!** The ultra-ruggedized LED modules can easily and quickly be mounted, connected, repositioned, and removed, as walls go up and the operating conditions on a jobsite change.

**FLEX SLS**  
SITE LIGHTING SYSTEM



## FLEX SLS System Components

### LED MODULE

- Each module produces 2000 “focused” lumens directed at the target area, delivering approximately 8 fc at 15 ft spacing on center from 10 ft height
- Lumen Maintenance: 70% at 50,000 hours
- Module is IP67 rated

### POWER SUPPLY

- 450W supply accepts 110-265VAC input and outputs 24VDC to energize up to 16 modules on a single bus line
- Can support 2 independent 24VDC bus lines
- “Night” mode reduces power consumption by 75%

### T-CONNECTOR & 24VDC BUS LINE

- Easy-to-use and quick-to-install T-Connector enables user defined spacing and reconfiguration
- Up to 300’ length 10 gauge wire, different lengths available upon requirement

## FLEX SLS System Benefits

### SAFETY AND SECURITY

The operating temperature of the LED modules is never too hot to touch (in contrast to MH, quartz, halogen, etc), substantially reducing the possibility of injuries and fires. Additionally, the LED modules deliver superior quality and consistency in light output to conform to OSHA foot candle requirements. The LED modules are resistant to theft because they do not support standard input voltage.

### COST & ENERGY SAVINGS

On a 250,000 square foot job site with a two-year duration, approximately \$700,000 in electricity savings alone is possible over the course of the project compared to existing lighting technologies (factoring \$0.18/kwh). **The FLEX SLS system consumes less than 1/3 the energy.**

### SUSTAINABILITY

All components of the FLEX SLS system are RoHS compliant and contain no hazardous materials, unlike metal halide and compact fluorescent bulbs. The 70% decrease in electricity consumption and reduction of electrical waste may offer opportunities for LEED credits in addition to the benefits to the environment.

### INSTALLATION & LABOR EFFICIENCY

Utilizing the revolutionary T-Connector, temporary lighting is no longer limited to the fixed distance spacing of stringers or the hardwiring of MH fixtures. The electrical contractor simply connects the Power Supply to a 110/220VAC input source, wires the 24VDC Bus Line along a ceiling, beam, or other type of harness, and then connects LED Modules to the 24VDC Bus Line at optimal spacing depending on dynamic job site requirements.

### OPERATIONAL LIFE & DURABILITY

The illumination from the LED module is rated for L70 @ 50,000 hours. After almost 6 years of continuous use, the LEDs will shine at 70% of their initial brightness. The “lights” themselves are durable (impact-grade polycarbonate and aluminum assembly) and easily removable. In contrast to existing temporary lighting systems, they will last far more than a single project.

### LED MODULE



### POWER SUPPLY



### T-CONNECTOR



### COMPLIANCE

The FLEX SLS system is currently under review by UL.